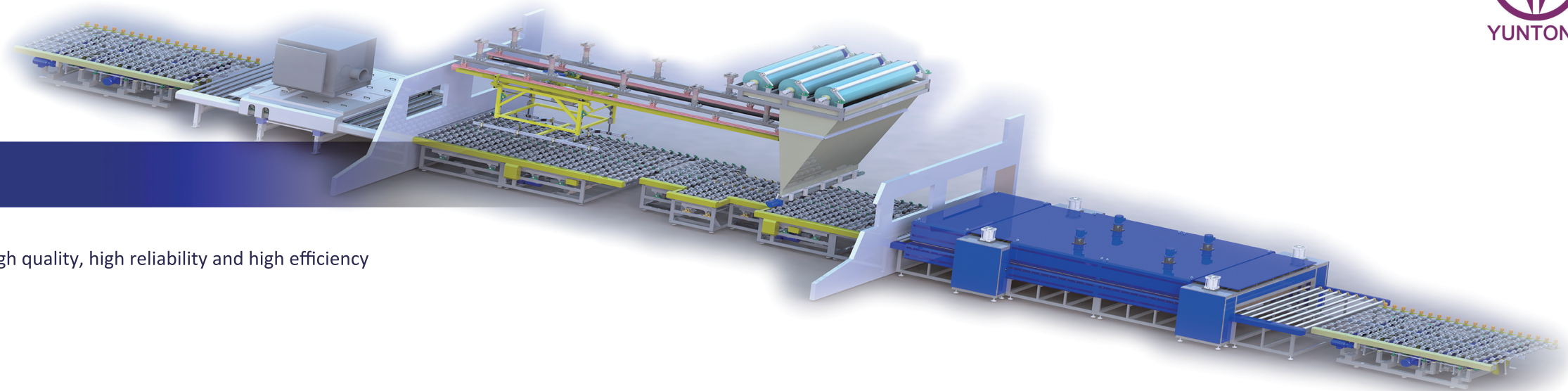


LAMINATED GLASS PRODUCTION EQUIPMENT



We take great sincerity in providing customers with high quality, high reliability and high efficiency laminating equipment.

Very handy loading/unloading system.

Full stainless low noise washing and drying machine.

We have fully automated and semi-automated layup system.

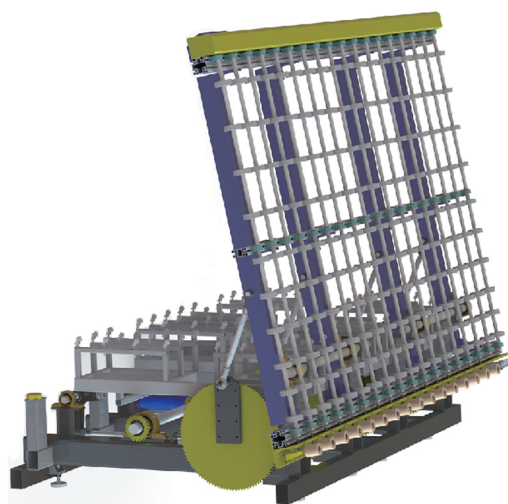
Automatic film dispensing and cutting system.

High efficiency mangling oven that can reach 5m/min (15ft/min). We recently developed special heating system that can even multiply the heating efficiency.

High standard autoclave: CE or ASME certified vessel; All round insulation; Fan motor in sealed capsule (no shaft seal); PID heating and adjustable cooling; and highest safety measures.

Basic Data of Laminated Glass Production Line

MODEL	Max. Glass Size mm x mm	Min. Glass Size mm x mm	Laminated Thickness mm ~ mm	Equipment Dimension meters	Installed Power KVA
AIJC1640	1600 x 4000	300 x 420	4 ~ 40	31 x 7 x 3	95
AIJC2040	2000 x 4000	300 x 420	4 ~ 80	32 x 8 x 3	110
AIJC2260	2250 x 6000	300 x 420	4 ~ 80	38 x 8 x 3.7	165
AIJC2560	2500 x 6000	300 x 420	4 ~ 80	39 x 9 x 4	185
AIJC2580	2500 x 8000	300 x 420	4 ~ 80	44 x 9 x 4	240
AIJC3080	3000 x 8000	400 x 500	4 ~ 80	47 x 10 x 4.5	275
AIJC3280	3210 x 8000	400 x 500	4 ~ 80	48 x 10 x 4.5	290



Basic Data of Autoclave

MODEL	Max. Glass Size mm x mm	Cycle time (hours)	Laminated Thickness mm ~ mm	Working Pressure MPa	Power Supply KVA	Equipment Weight (Ton)
ATGF2040	1650 x 4000	1.5 ~ 3.5	4 ~ 40	1.25	85kw	8.5
ATGF2245	2000 x 4000	1.5 ~ 3.5	4 ~ 80	1.25	110kw	11
ATGF2660	2250 x 6000	1.5 ~ 4	4 ~ 80	1.25	150kw	16
ATGF2860	2500 x 6000	2 ~ 4	4 ~ 80	1.25	185kw	19
ATGF2880	2500 x 8000	2 ~ 4	4 ~ 80	1.25	210kw	22
ATGF3380	3000 x 8000	2 ~ 4	4 ~ 80	1.25	280kw	27
ATGF3580	3250 x 8000	2 ~ 4	4 ~ 80	1.25	330kw	33

Production line can be installed in L or U shapes to fit in and save the factory spaces.

We can design and manufacture line of customer specified sizes.

